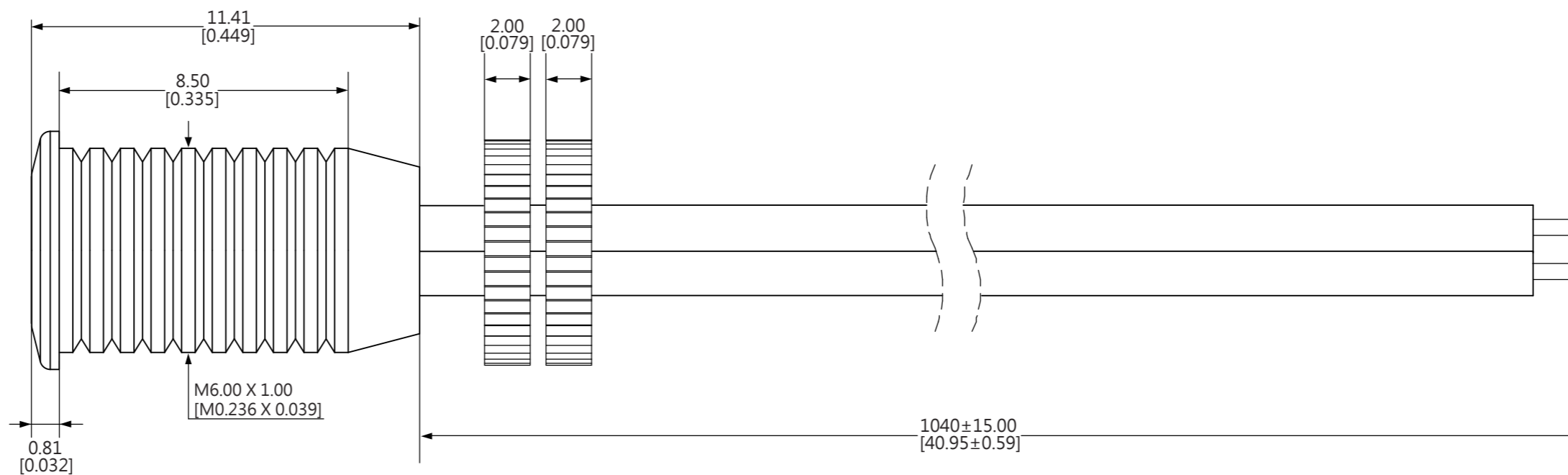
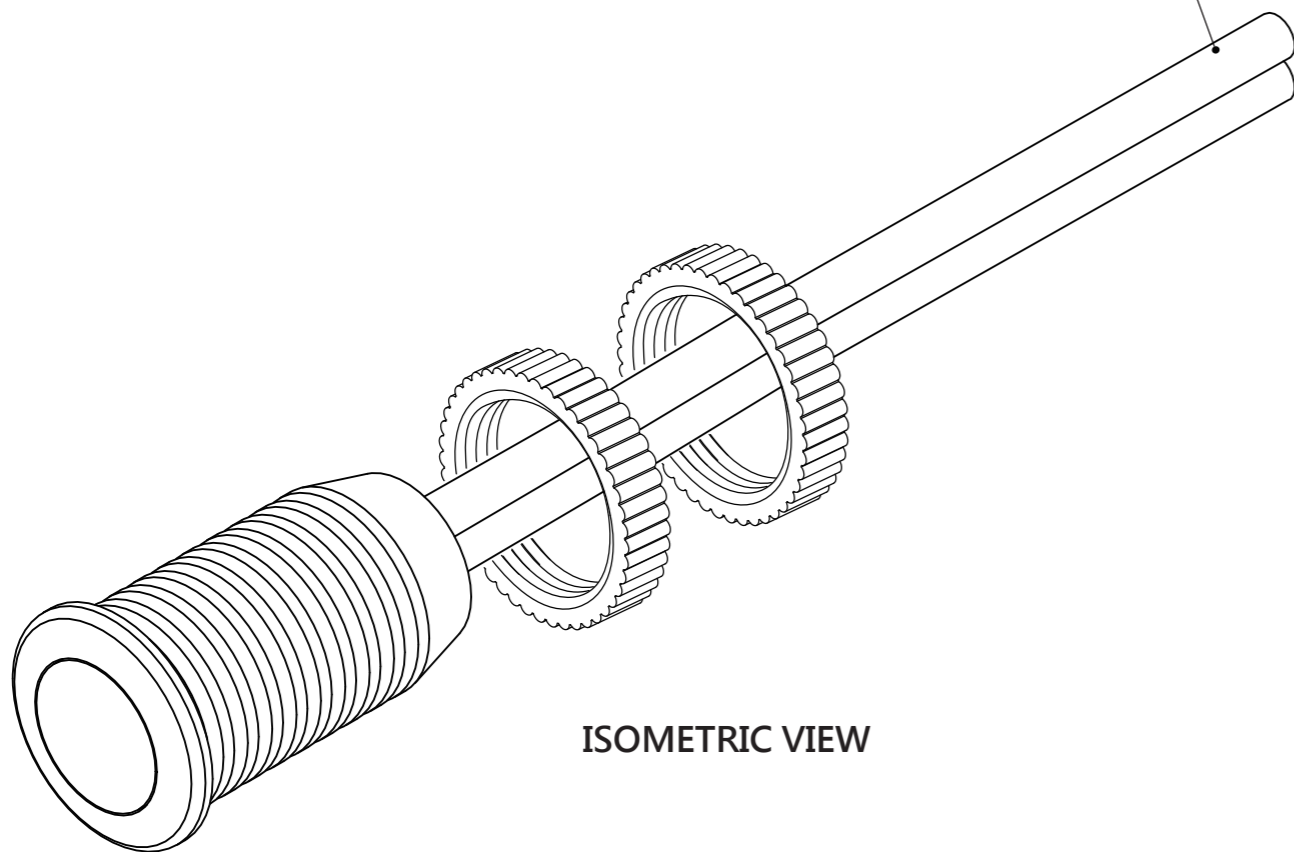


FRONT VIEW

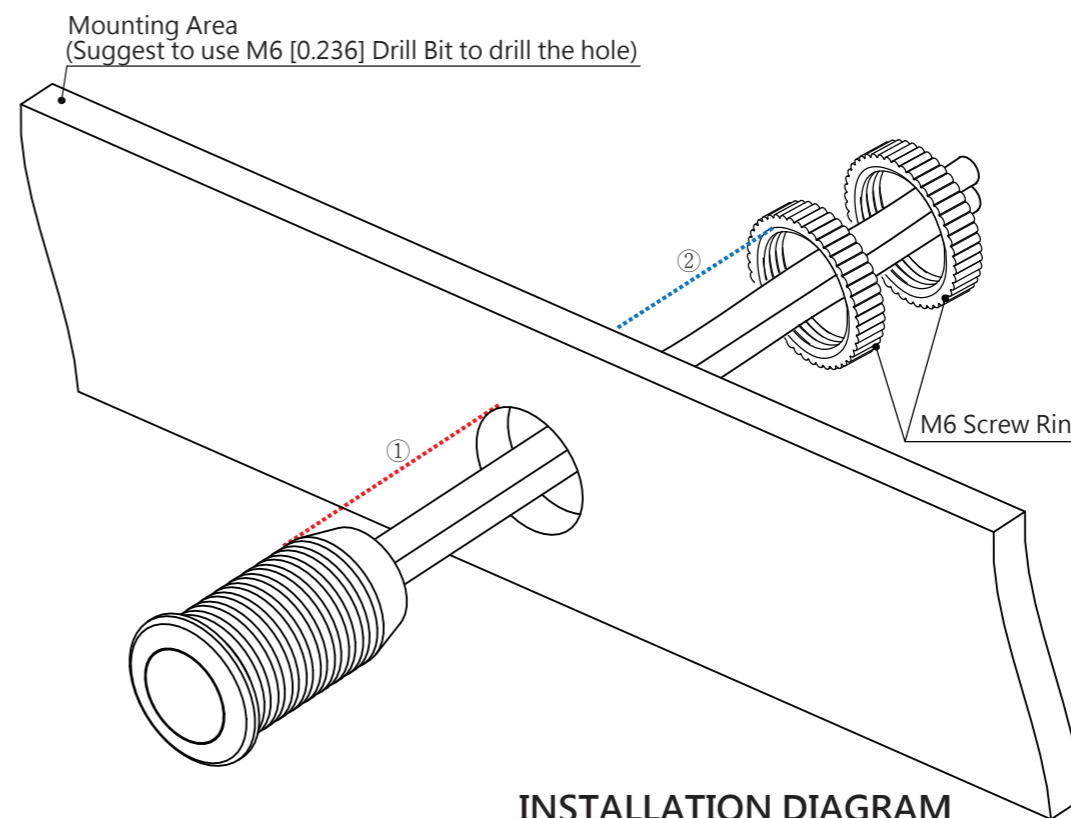


SIDE VIEW

Connect to 12V power source  
(Black Wire = -ve, Red Wire = +ve)




ISOMETRIC VIEW



INSTALLATION DIAGRAM

All dimensions in millimeters [Inches]

<b>Technical Information (Per module):</b>			
Operating Voltage: DC 12V			
Maximum Power Consumption: 20 mA (0.2W)		PRODUCT NAME:	
Heat Dissipation: Below 45 °C/ 113 °F		Flush Mount LED Bolt	
Net Weight: 7g		VERSION:	
		6mm/ No lens/ Aluminum Housing	
PRODUCT NUMBER:	REVISION:	PAGE:	
442	D	1 of 1	