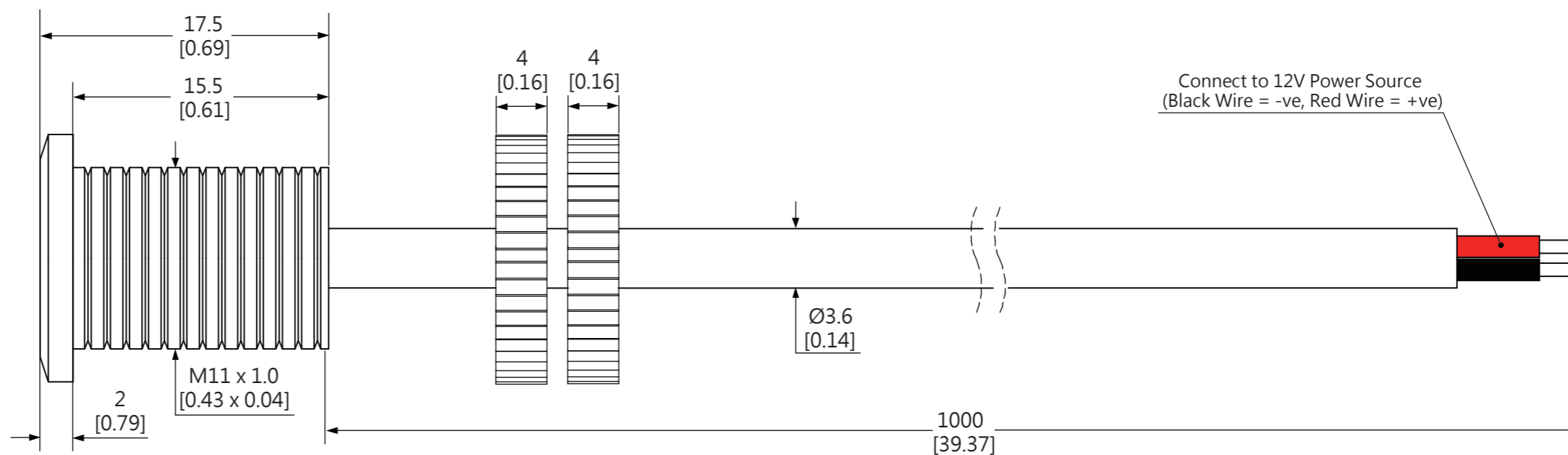
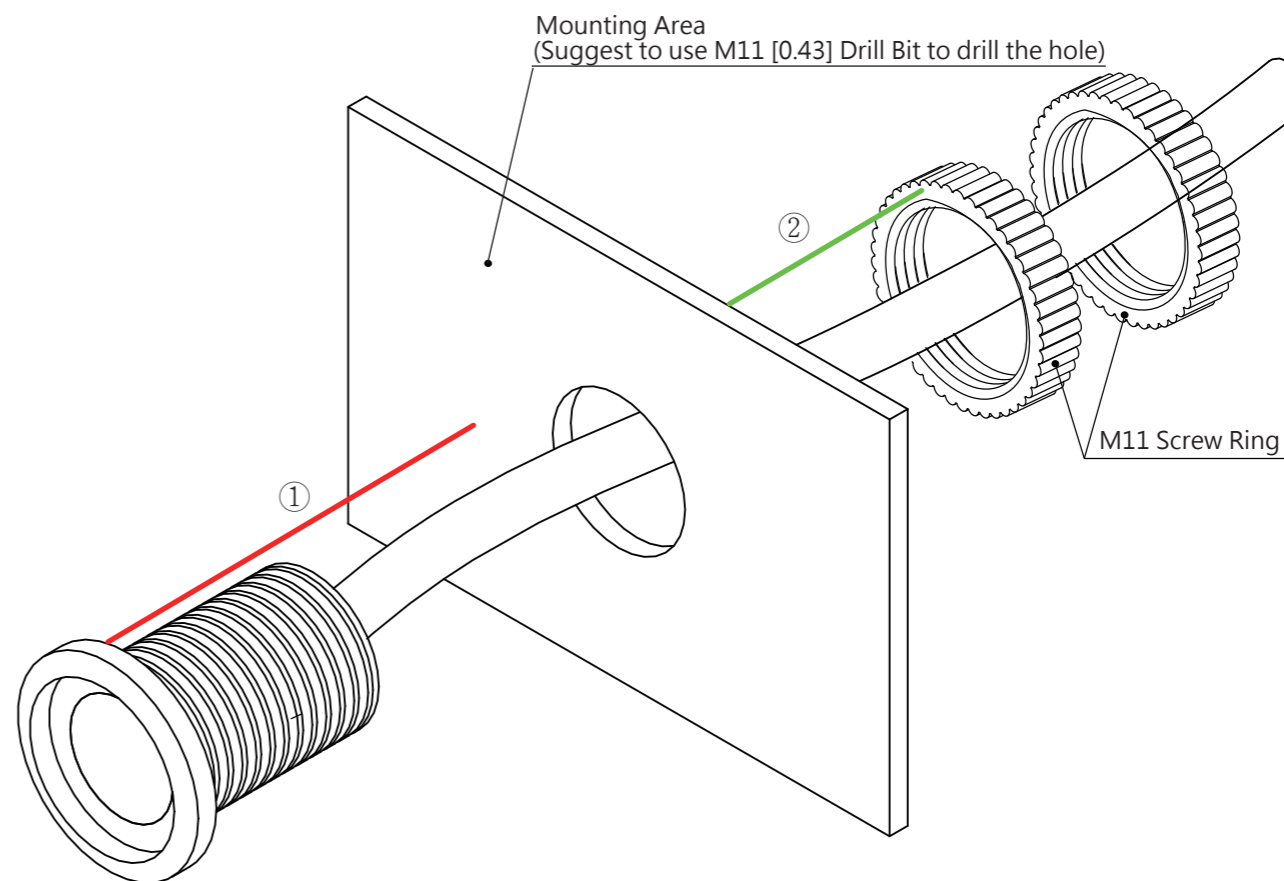
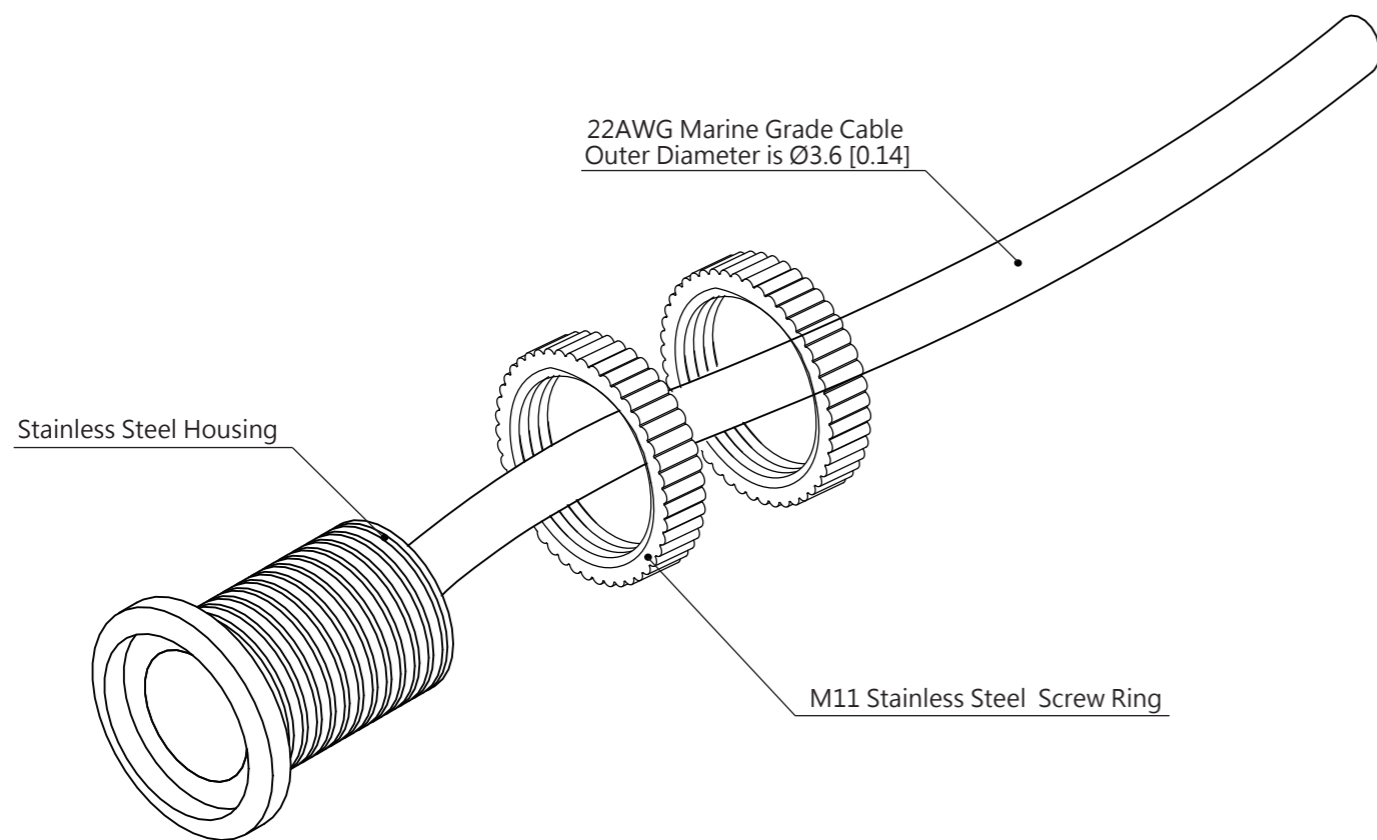


FRONT VIEW



SIDE VIEW

Connect to 12V Power Source  
(Black Wire = -ve, Red Wire = +ve)



INSTALLATION DIAGRAM

<b>Technical Information (Per module):</b>			
Operating Voltage: DC 12V			
Maximum Power Consumption: 56 mA (0.67W)		PRODUCT NAME: Flush Mount LED Bolt	
Heat Dissipation: Below 45 °C/ 113 °F		VERSION: 11mm/ No lens/ Stainless Steel Housing	
Net Weight: 31.5g		PRODUCT NUMBER: 442	REVISION: C
		PAGE: 1 of 1	

All dimensions in millimeters [Inches]